

FED. ROAD DIST. NO.	PROJECT NO.	SHEET NO.	TOTAL SHEETS
6		R002	130

EROSION CONTROL AND CONSTRUCTION NOTES

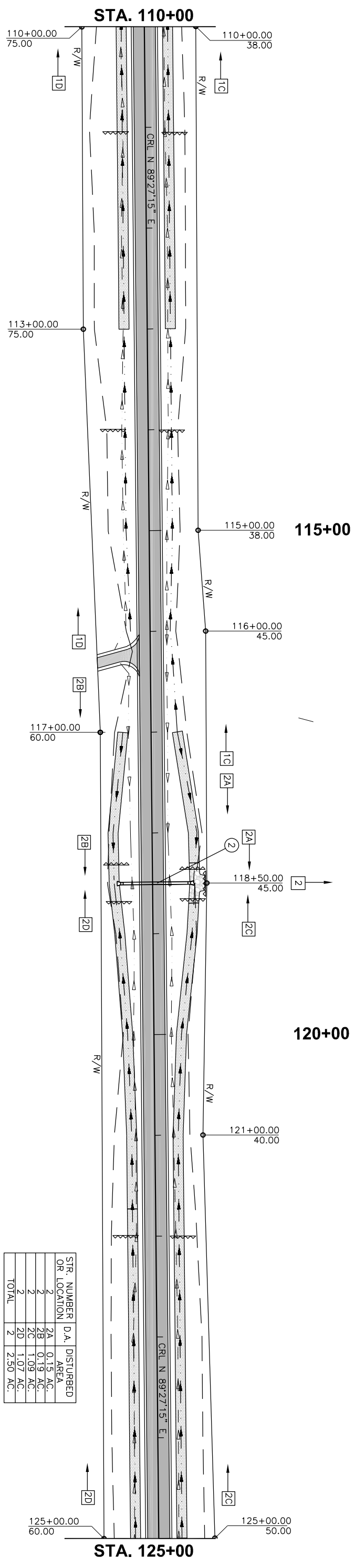
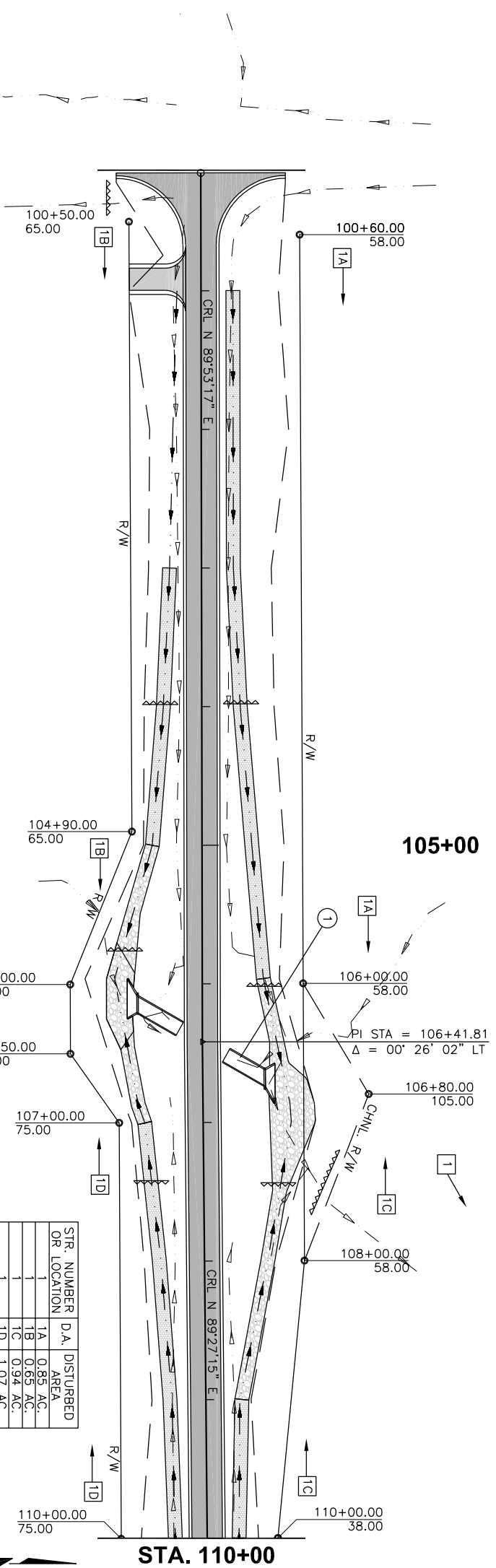
SOLID SLAB SODDING SHALL BE PLACED ON ALL DISTURBED AREAS.
 THE PLANTING OF SOLID SLAB SOD SHALL BE RESTRICTED TO THE PERIOD FROM MARCH 1 TO AUGUST 31.

AT THE BEGINNING OF TURFING OPERATIONS, ANY AREAS INCLUDED IN PLANNED QUANTITIES THAT HAVE GROWN A SATISFACTORY VOLUNTEER TURF OF PERENNIAL GRASS, AS DETERMINED BY THE ENGINEER, SHALL BE FERTILIZED AND WATERED AS CALLED FOR ON THE PLANS, BUT SHALL NOT BE SEEDED, SODDED OR SPRIGGED.

VEGETATIVE MULCHING: THE VEGETATIVE MULCH SHALL BE ANCHORED IN ACCORDANCE WITH THE "MULCHING-TILLER METHOD", AS SPECIFIED IN 235.04B(2) OF THE STANDARD SPECIFICATIONS.

TOPSOIL NOTE:
 RESERVED TOPSOIL SHALL BE SPREAD APPROX. 5 INCHES THICK FIRST ON COMPLETED FORE SLOPES OF FILL SECTIONS AND THE REMAINDER ON COMPLETED CUT SLOPES OR OTHER PRIORITY AREAS LOCATED BY THE ENGINEER.

AREAS ON WHICH SALVAGED TOPSOIL IS TO BE REPLACED SHALL HAVE 18-46-0 FERTILIZER APPLIED AT THE RATE OF 150 POUNDS PER ACRE JUST PRIOR TO THE REPLACEMENT OF SALVAGED TOPSOIL.



LEGEND

	TEMPORARY SILT FENCE
	TEMPORARY SILT DIKE
	SOLID SLAB SOD DITCH
	NYLON MAT
	RIPRAP

QUANTITIES
 SEE SUMMARY OF EROSION CONTROL QUANTITIES, SHEET NUMBER AX03